

卫生排气阀
Sanitary Air release valve



国家高新技术企业 浙江省著名商标
www.cndonjoy.com



东正一直致力于重大技术进步，是您值得信赖的事业伙伴！
Donjoy committing to major technological advances, is your reliable business partner!

0.1	自控调节阀+控制器 Automatic control regulating valve +Control head
0.2	生物制药隔膜阀 Biopharmaceutical diaphragm valve
0.3	高洁净泵 High purity pumps
0.4	防混蝶阀+蝶阀 Mixing proof butterfly valve +Butterfly valve
0.5	球阀 Ball valve
0.6	截止换向阀+防混阀+罐底阀 Divert seat valve+Mixing proof valve +Tank bottom valve
0.7	角座阀+截止阀 Angle seat valve+Globe valve
0.8	止回阀+恒压阀+安全阀+减压阀 Check valve+constant pressure valve+safety valve +air release valve
0.9	清洁技术+取样阀+视镜+照明技术 Clean technology+sample valve+sight glass +lighting technology
0.10	过滤器+人孔 Filter+man hole cover(manway)
0.11	卫生管件 Sanitary fittings ASME BPE DIN11852 B&4825 SMS ISO IDF 3A



注意：
目录技术资料仅供设计参考，
设计更新和技术升级恕不另行通知！

不断革新的技术、日新月异的市场发展和客户需求是当今我们面临的巨大挑战。面对这些挑战我们信心十足，因为东正高度专业化的产品和技术创新，是我们未来将以更高、更优的产品来满足不断增长的市场需求。

Technological innovation, rapid development of the market and customer needs are the greatest challenges facing us today. Facing with these challenges we are confident, because of highly professional products and technological innovation, we will meet the growing demand of market and customer with our better and better products.

法律声明：
目录样册版本属东正所有，如有抄袭东正将追究其法律责任和经济赔偿。
东正众多技术设计，都具有专利保护，如有抄袭，东正必将追究法律责任和经济赔偿。

领先源于创新 创新源于专业

东正的专业与品质的邂逅源于创新的精神



现代化工厂已经投产，期待您的光临！
温州空港经济园区生产基地
Wenzhou airport economic zone production base

占地面积29000m²，总投资1.2亿元，新引进ABB工业机器人、日本马扎克5轴加工中心、ABB机器人抛光设备。

Covering an area of 29000 m², with total investment after construction is expected to 120 million yuan, introduces new ABB industrial robot, Japan mazar-e-sharif grams of five axis machining center, ABB machine Polishing equipment.

东正创立于1993年，注册资金5508万，是一家专注于研发高品质PID过程控制器、阀门定位器、流量控制器，阀门控制单元，高洁净过程控制阀、智能自控阀，高洁净泵、高洁净管材和管道配件。公司高度专业化的产品和技术专注于生物制药、食品饮料、酿酒、精细化工等工业领域。东正众多的创新解决方案，对满足全球，尤其是新兴市场不断增长生物制药和食品饮料行业的需求起到了积极作用。

东正制造的产品母材料、加工技术、焊接技术、表面处理等技术指标均已达到国内外先进水平。且符合ASME BPE、EHEDG、FDA、3A等一系列国际标准和规范要求，先后通过了由德国TÜV机构实施的欧盟承压设备指令(PED-97/23/EC)和(MD-06/42/EC)认证、美国3A机构实施的3-A卫生标准认证、中国安全阀特种制造设备(TS)许可证和中国质量认证中心CQC ISO9001:2008质量管理体系认证等多项国际权威认证。

东正凭借先进的技术、优异的品质和完善的售后服务体系，先后被评定为国家高新技术企业，省著名商标、省科技型企业、创新型企业、专利示范企业、研发中心企业，守合同重信用AAA企业等众多荣誉。

关于东正 About DONJOY

Donjoy was built up in 1993, with registered capital RMB 55,08 millions. We focus on developing high quality PID process controller, the valve positioner, the flow controller, the valve control unit, high purity process control valve, intelligent self-control valve, high purity pump, high purity tubing fitting and pipeline accessories. Donjoy's products and technologies are widely used in biopharmaceutical, food, drink, wine fine chemicals and other industrial fields. Donjoy's innovation solutions meet the growing demand of the industry of biopharmaceutical, food and beverage from the whole world, especially the emerging market.

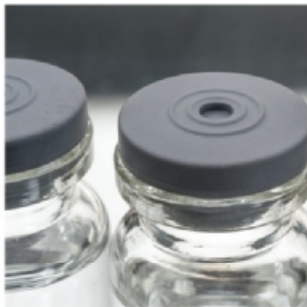
Raw material, processing technology, welding technology, surface treatment from Donjoy have achieved advanced levels of domestic and foreign market. Donjoy productions according to ASME BPE, EHEDG, FDA and 3A standard, get certificate of PED-97/23/EC and MD-06/42/EC issued by TUV, 3A issued by 3A organization, TS licence and ISO9001:2008.

Donjoy with advanced technology, excellent quality and perfect after-sales service system, has been assessed as the national high-tech enterprises, the Provincial Famous Trademark, the Provincial Science and Technology Enterprises, Innovative Enterprises, Patent Model Enterprises, R & D Center, AAA Credit Enterprises.



创立于2005年现代化工厂
温州滨海经济开发区生产基地
Wenzhou binhai economic development zone production base

DONJOY high-purity valve, pump, control system, pipe and accessories, provide the most excellent solution for various business scopes.



Biopharmaceutical



Dairy



Food



Beverage



Water Processing



Brewing



Fine Chemical

制造与检验 Manufacturing and testing



机器人生产线 Robot production line

全自动弯管设备 Automatic pipe bending equipment

DONJOY以科学技术是第一生产力，也是企业核心竞争力，只有不断投入核心技术研发和创新，不断追求卓越，精益求精、以先进生产设备，严格的质量管理体系，精密的生产检测流程，保证每一款产品优良的性能。

Science and technology constitute a primary productive force, also the core competitive strength of the enterprise. Continuously intensifying the research, development and innovation of core technology, pursuing prominence and keeping improving, ensuring the excellent quality and performance of every single product by advanced production equipment, strict quality control and precise production and inspection procedures.

荣誉与资质

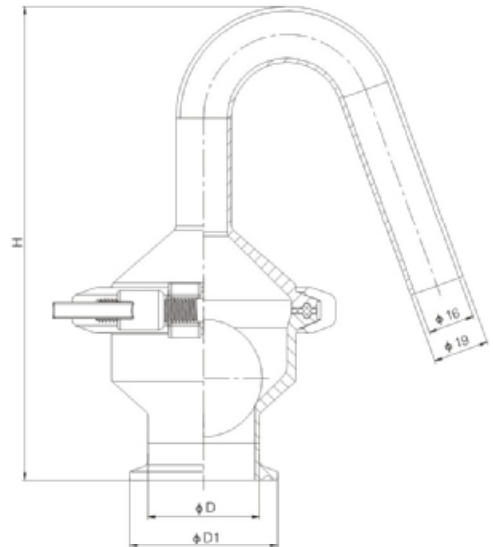
Honor and qualification

	<p>3A</p> <p>东正是美国3A认证组织的金牌赞助商，3A是一个自愿组织，致力于维护公共卫生和奶制品产品质量通过独特的行业监管程序的设备，用于处理乳制品的卫生标准3A认证。 东正通过认证产品，阀门系列55-02-1783、64-00-1784、84-02-1786、85-03-1787、53-06-1782、54-02-1580、68-00-1785，管件(63-03)证书号(1581)等多种规格型号。</p>
	<p>PED/97/23/EC & MD/06/42EC</p> <p>东正通过了TUV 欧共体压力设备97/23/EC质量保证模式H&材料(管件)制造认证。 阀门证书 NO.CE 0036 泵类证书 NO.705201402401-00</p>
	<p>FDA177.2600</p> <p>东正生产的阀门和泵以及流体设备等，与物料接触密封圈全部通过或符合美国食品和药品管理局和联邦法规第21条即，CRF 21 FDA177.2600和FDA177.1550认证，其涵盖： EPDM VITON(FPM) SILICON HNBPTFE橡胶塑料材料等。</p>
	<p>ISO9001/2008</p> <p>东正通过中国质量认证中心CQC，ISO9001-2008/GB/T19001-2008企业质量管理体系认证。其证书编号: 00108Q24215R1M/3302</p>
	<p>卫生许可证</p> <p>东正通过了省卫生厅卫生阀门、卫生管件等检验，且获得了其颁发的证书，其编号: So083。 其许可证为国家出台的生活饮用水卫生监督管理方法证书。</p>
	<p>高新技术企业</p> <p>东正通过多年发展和技术创新已获得了多项国家发明专利，100多项实用新型专利，现已成为国家高新技术企业。</p>
	<p>浙江省著名商标</p> <p>东正09年获得了温州市著名商标，2012年获得了浙江省著名商标。</p>

DONJOY不但拥有以上认证和荣誉，且被评定为省科技型、创新型、专利示范、研发中心、守合同守信用企业等众多的荣誉证书。

排气阀

Air release valve



NO.VAQ410A1

SIZE	D	D1	H
1"	25.4	50.5	162
1.5"	38.1	50.5	162

应用领域

排气阀是一种可靠的自动排气阀，按需清除空气，垂直安装在管道或容器的顶部，或安装在泵进口之处。以下是排气阀的两个使用示例。

示例1:

由于安装的原因，管线上形成气穴，因而需要排出空气。此种情况下，阀门安装在管道的顶部。

示例2:

排出泵进口侧管道内的空气。进口端管道在泵开启前自动排除空气，形成真空。从而避免了空气与产品混杂在一起，进而避免了气穴的出现。此种情况下，阀门安装在泵的前面，进口管的顶部。

工作原理

排气阀是一个双阀座的阀门，装有一个自由活动的塑料球。塑料球比水轻，能够根据压力条件来关闭上下阀座。

Application

Air Release valve is a reliable, automatic air-relief valve which is installed vertically on the top of a pipeline or container or before the inlet of removal a pump, where the releasing air is required. Here below are two examples of plications.

Example 1:

Air cavity is formed due to the installation of the pipeline, and thus need to release air. In this case the valve is installed at the top of the pipe.

Example 2:

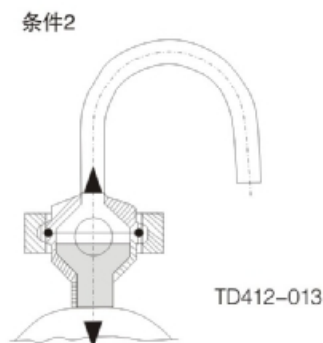
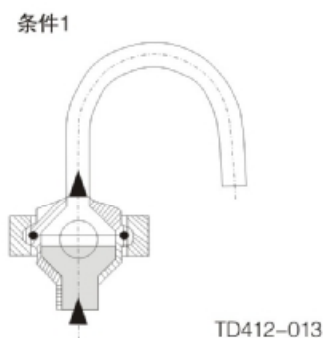
Discharge air at inside of the pipeline of the pump. When the pump opened the air will be automatically discharged and forming a vaccum. In order to avoid the air mixed with products and the apperance of cavitation. In this case the valve is installed in front of the pump, on top of the inlet pipe.

Working principle

Air Release valve is a double-seat valve with a freely movable plastic ball. The ball, which is lighter than water, According to the conditions of pressure to close the upper or lower valve seat.

排气阀

Air release valve



注意!

关于正确使用的重要信息

- 产品密度须高于球的密度。
- 垂直安装。
- 产品纯净。

Note:

important information to properly use.

- Product density must be higher than the ball density.
- Vertical installation.
- Pure products.

标准设计 Standard design

阀体由两部分组成，通过卡箍组装在一起。下面的阀体有一个焊接短管。

The valve body is composed of two parts and assembled by a clamp. The lower body has a welding cube.

技术数据 Technical data

- ◆最大产品压力: 1000kPa/145psi(10bar).
- ◆最高温度: 90° C/194° F(由于阀球是塑料球)。
- ◆阀球密度: 0.906kg/dm³
- ◆Max.product pressure: 1000kPa/145psi(10bar).
- ◆Max.temperature: 90° C/194° F(because of the plastic ball).
- ◆Density of ball: 0.906kg/dm³

压力条件 Pressure conditions

压力，空气或产品，或空气/产品混合物。
Pressure, air or product, or air/products mixture.

现象 Effect

塑料球被从下阀座上提升。在产品介质将球提升至上阀座时，空气便会排出，从而关闭阀门。

The ball is lifted from the lower seat. The air be released when the product lifts the ball against the upper seat, closing the valve.

压力条件 Pressure conditions

真空，空气或产品，或空气/产品混合物。
Vacuum, air or product, or air/products mixture.

现象 Effect

无论是否含有空气、产品或是两者混合物，真空时，塑料球向下阀座运动，关闭阀门。

The ball moves forwards the lower seat, closing the valve, whether it contains air/product mixture, or air/product.

选件 Options

可选橡胶:
- NBR (Buna N)
- FPM (SFY)
聚丙烯

Alternative elastomers:
- NBR (Buna N)
- FPM(SFY)
Polypropylene(PP)

材料 Materials

钢制部件: 不锈钢AISI304
阀球: 聚丙烯
密封环: EPDM

Body: Stainless steel AISI304
Ball: Polypropylene(PP)
Seal ring: EPDM



CHINA DONJOY TECHNOLOGY CO.,LTD.

DONJOY looking forward to your visit! Your telecommunications!



中国·东正
科技有限公司

地址: 温州龙湾区空港新区港富路25号
总机: 0577-86990888
传真: 0577-86998000

Add : No.25 Gang fu Road,
kong gang new District,
Longwan Wenzhou,China
Tel: +86-577-86990888
Fax: +86-577-86998000
E-mail: donjoy@cndonjoy.com

www.cndonjoy.com

法律声明:

目录样册版本属东正所有, 如有抄袭东正将追究其法律责任和经济赔偿。
东正众多技术设计, 都具有专利保护, 如有抄袭, 东正必将追究法律责任和经济赔偿。